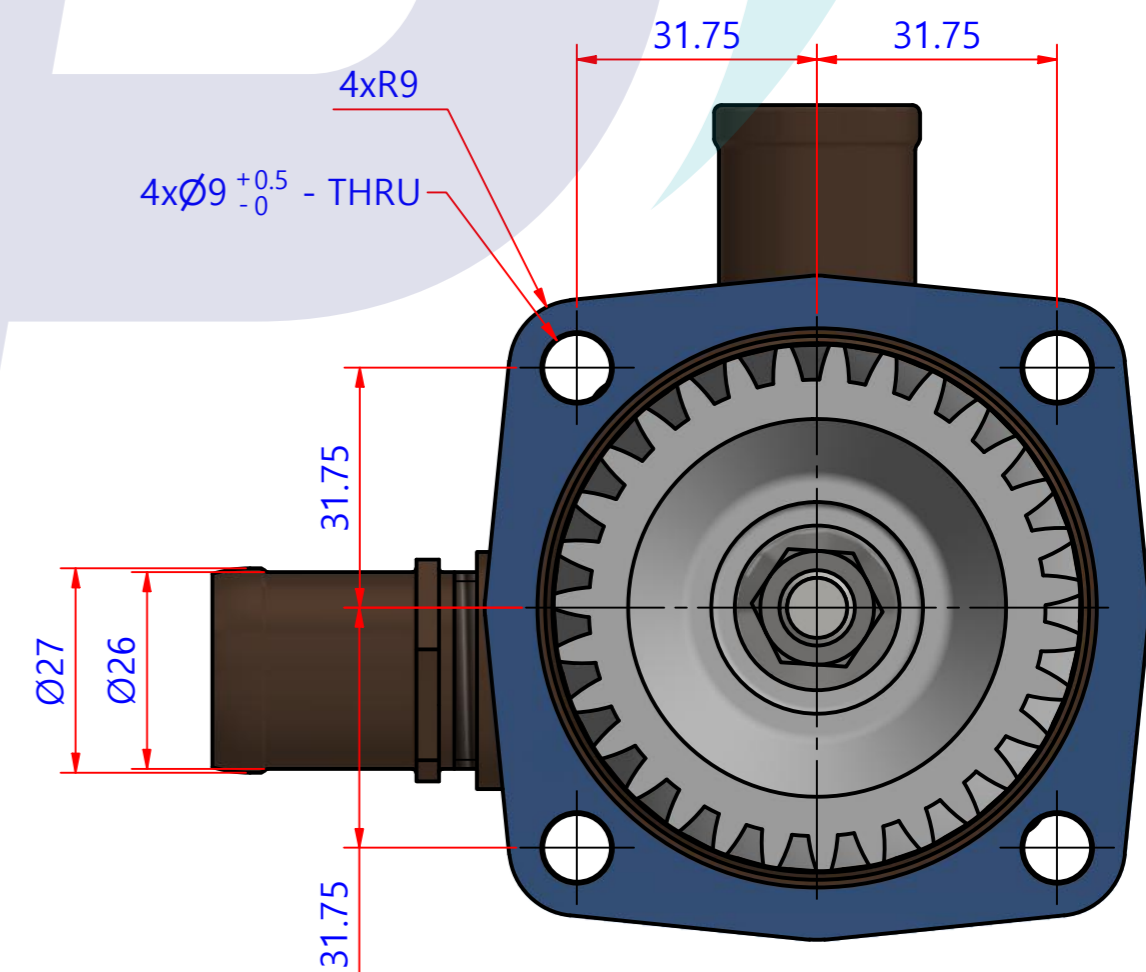
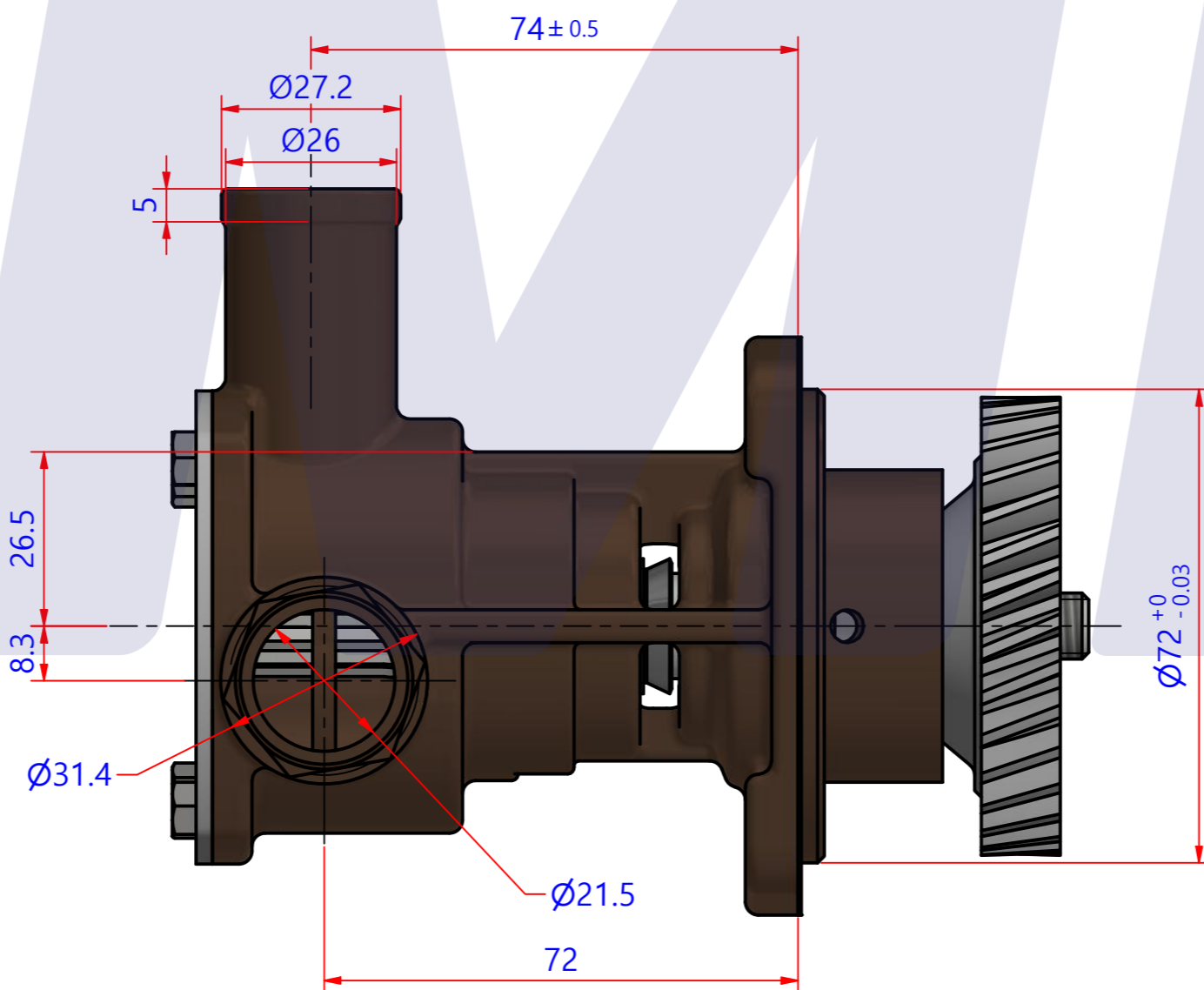
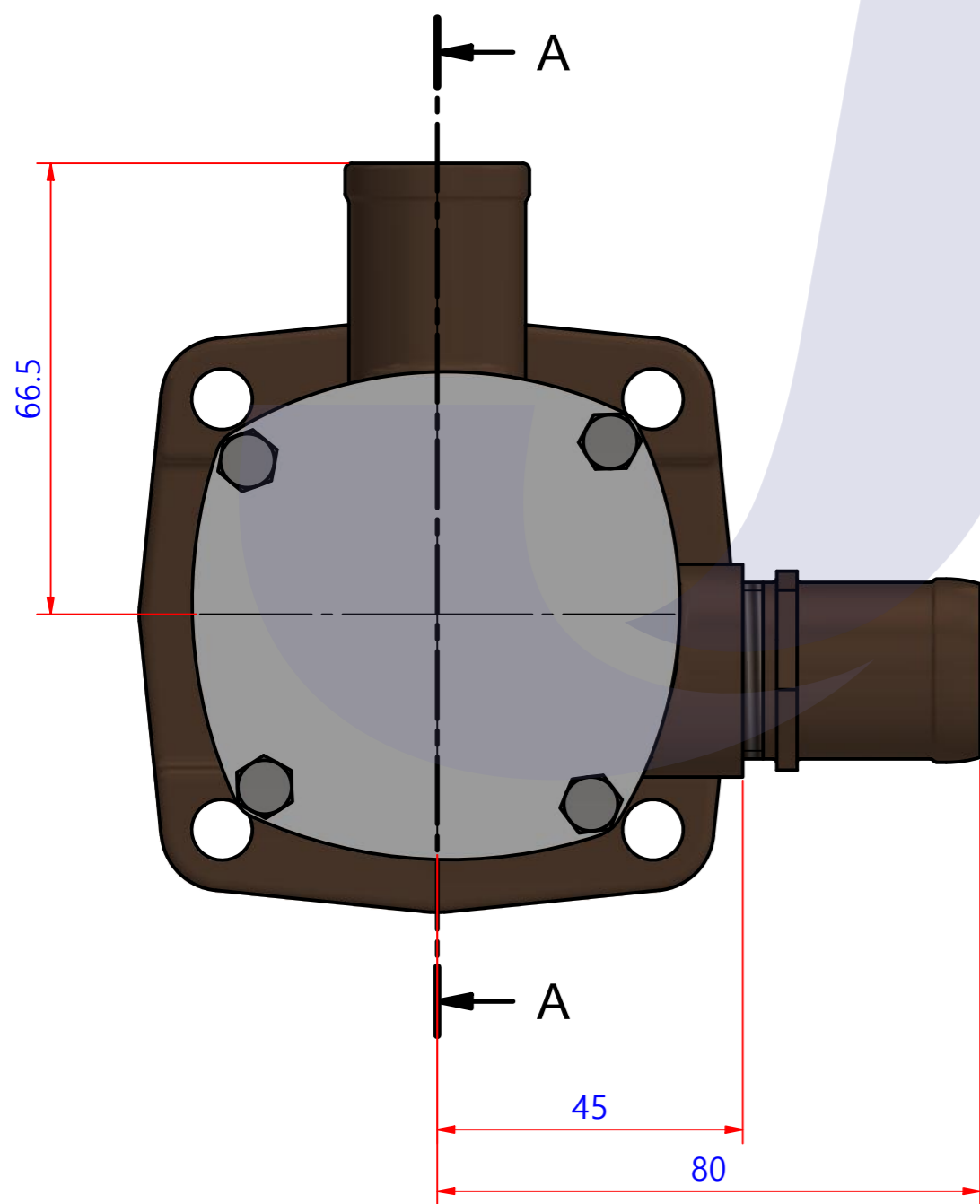
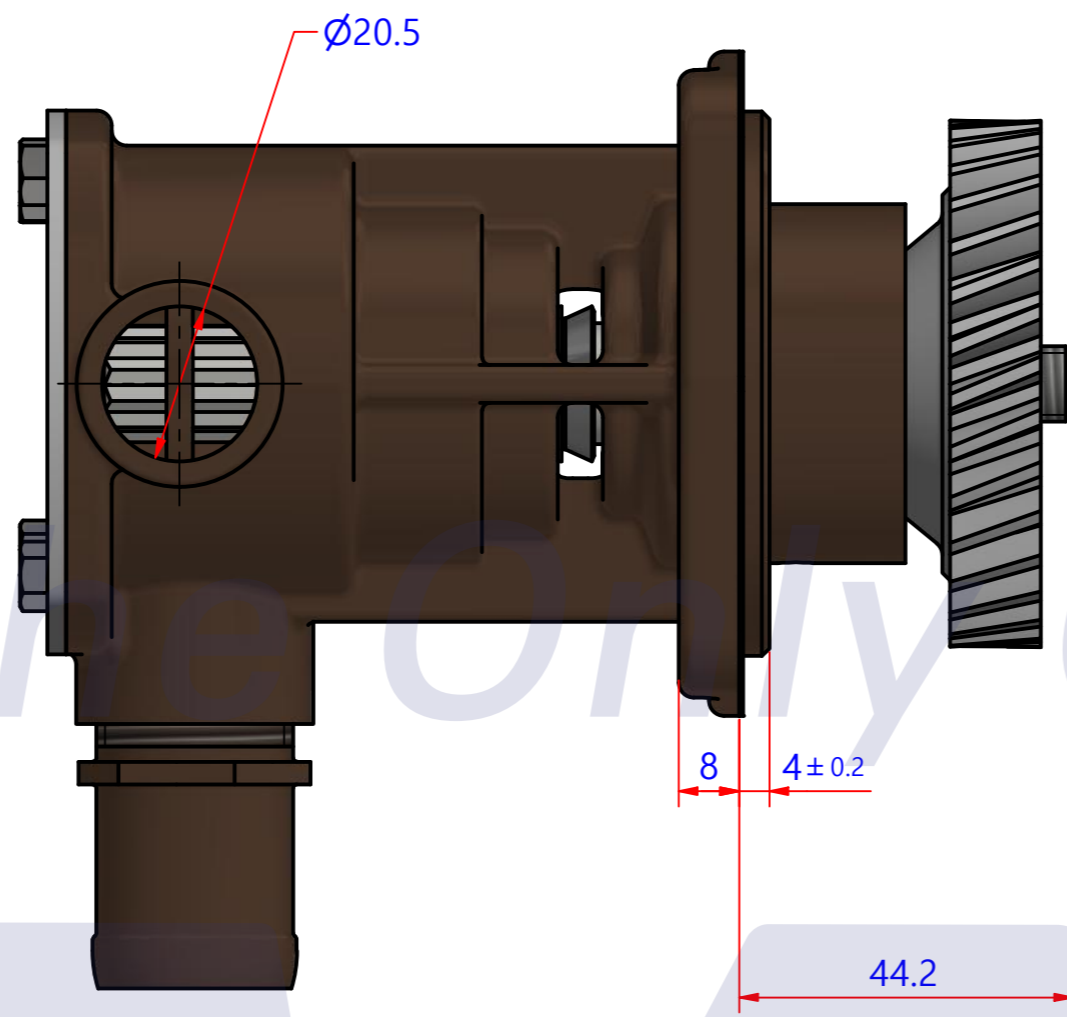
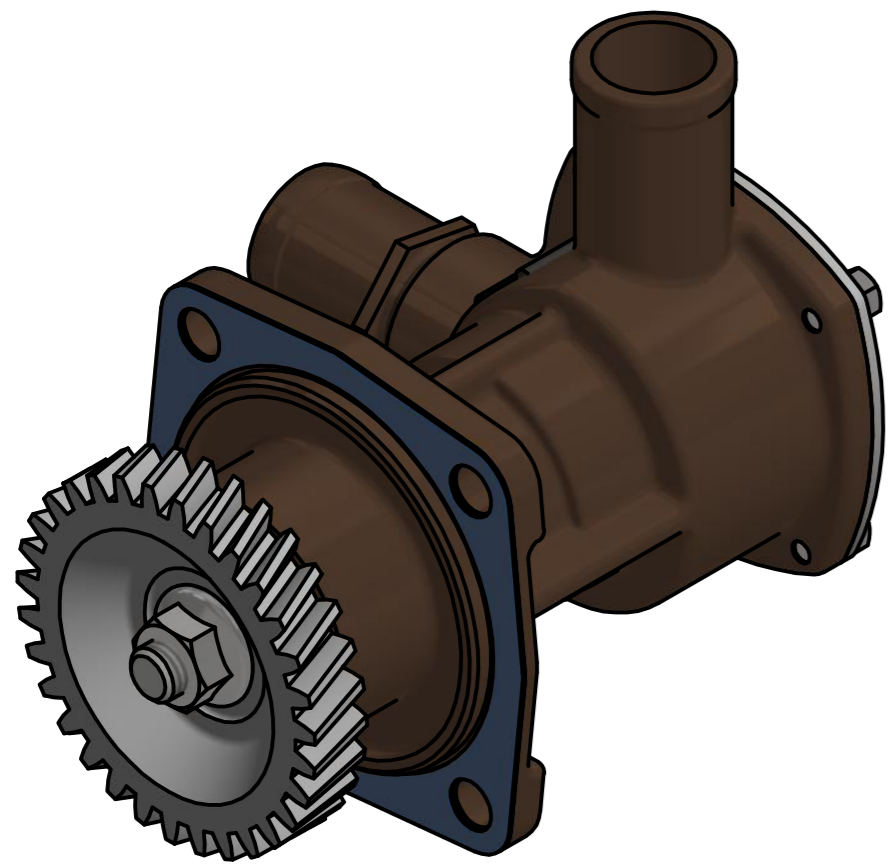


| PART LIST | | | | | |
|-----------|-----|-------------|-----------|-----|-------------|
| No. | QTY | PART NUMBER | PART NAME | MAT | DESCRIPTION |
| 1 | 1 | PUA014202 | PUMP ASSY | | JPR-YM04JHB |

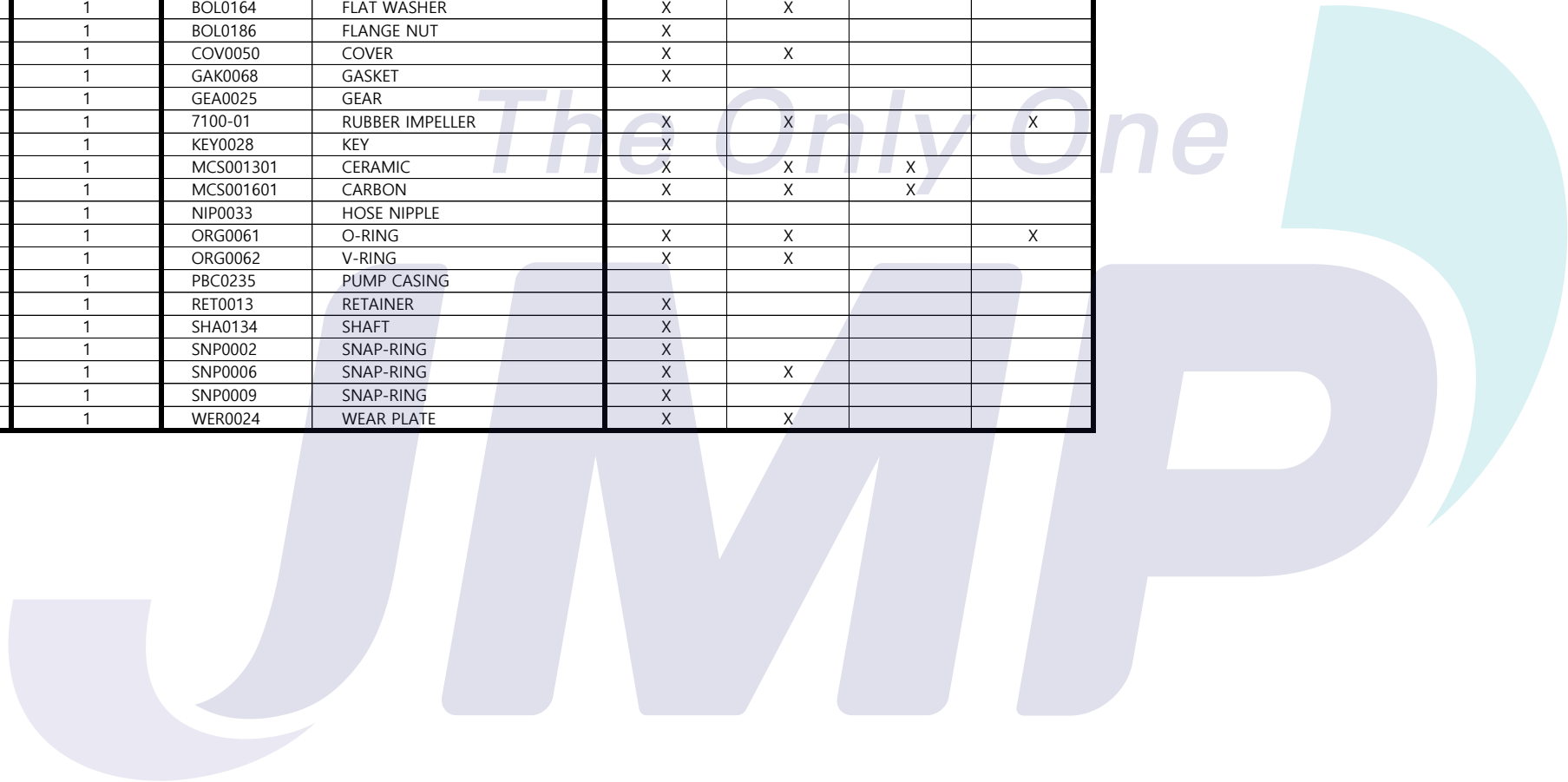


| | | | | | |
|---------------------|-------------------------|--------------------|-----------------------------|--------------------|--------------|
| Drawing by 강 명 진 | Checked by C.I, JEON | Approved by - date | Model Name JPR-YM04JHB | Date 2016-10-21 | Scale 1:1 |
| | | | PUMP ASSY | | |
| | | | PART NUMBER PUA014202(0) | Edition 0 | Sheet A2 |

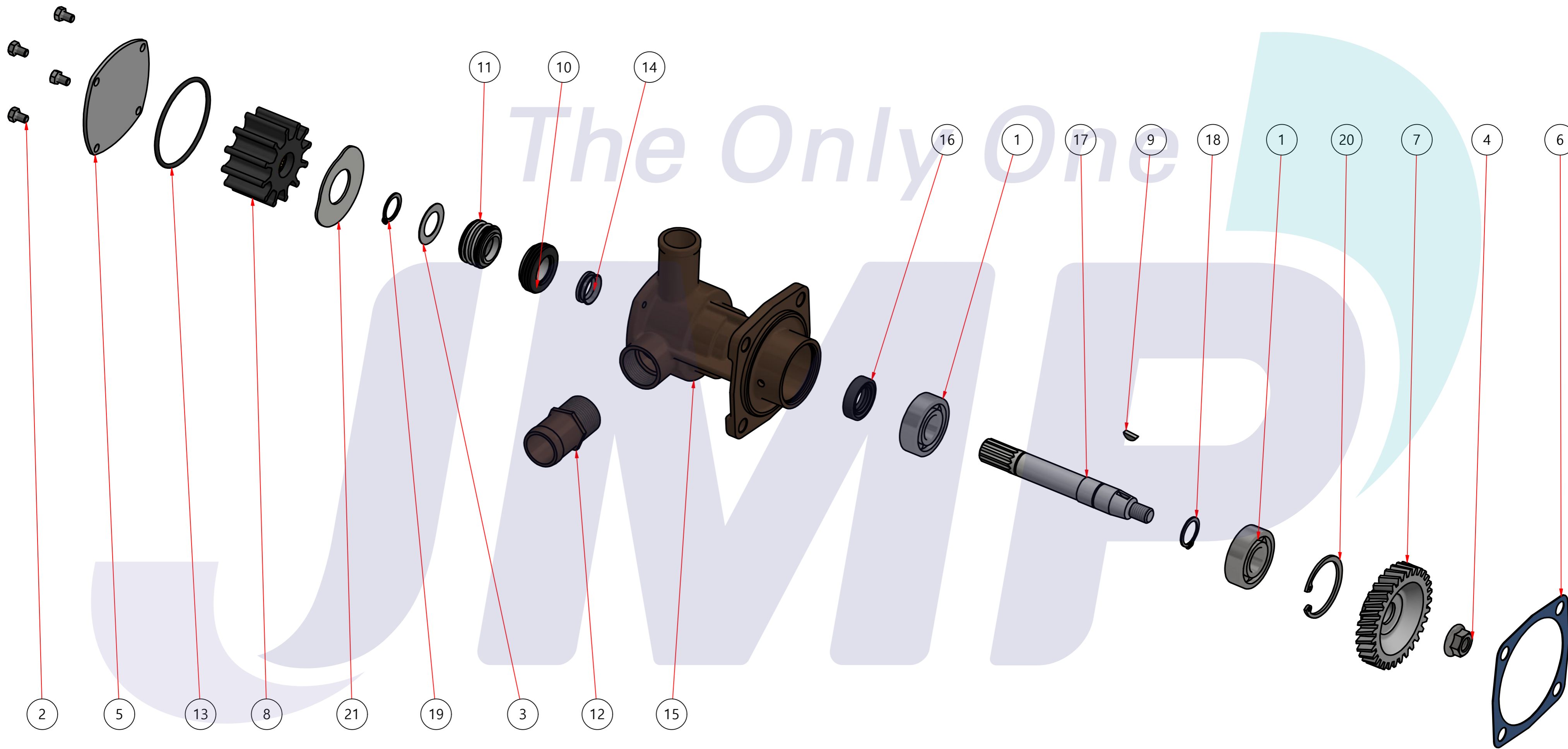
| | |
|-----|-------------|
| 품 번 | PUA014202 |
| 품 명 | JPR-YM04JHB |

A: MAJOR KIT B: MINOR KIT C: M-SEAL SET D: IMPELLER KIT

| No. | QTY | PART NUMBER | PART NAME | A (JSK0130) | B (JSM0130) | C (MCSSET0001) | D (JIKJMP013) |
|-----|-----|-------------|-----------------|----------------|----------------|-------------------|------------------|
| 1 | 2 | BER0050 | BEARING | X | | | |
| 2 | 4 | BOL0163 | HEX BOLT | X | X | | |
| 3 | 1 | BOL0164 | FLAT WASHER | X | X | | |
| 4 | 1 | BOL0186 | FLANGE NUT | X | | | |
| 5 | 1 | COV0050 | COVER | X | X | | |
| 6 | 1 | GAK0068 | GASKET | X | | | |
| 7 | 1 | GEA0025 | GEAR | | | | |
| 8 | 1 | 7100-01 | RUBBER IMPELLER | X | X | | X |
| 9 | 1 | KEY0028 | KEY | X | | | |
| 10 | 1 | MCS001301 | CERAMIC | X | X | X | |
| 11 | 1 | MCS001601 | CARBON | X | X | X | |
| 12 | 1 | NIP0033 | HOSE NIPPLE | | | | |
| 13 | 1 | ORG0061 | O-RING | X | X | | X |
| 14 | 1 | ORG0062 | V-RING | X | X | | |
| 15 | 1 | PBC0235 | PUMP CASING | | | | |
| 16 | 1 | RET0013 | RETAINER | X | | | |
| 17 | 1 | SHA0134 | SHAFT | X | | | |
| 18 | 1 | SNP0002 | SNAP-RING | X | | | |
| 19 | 1 | SNP0006 | SNAP-RING | X | X | | |
| 20 | 1 | SNP0009 | SNAP-RING | X | | | |
| 21 | 1 | WER0024 | WEAR PLATE | X | X | | |



| PART LIST | | | | |
|-----------|-----|-------------|-----------|-------------|
| No. | QTY | PART NUMBER | PART NAME | DESCRIPTION |
| 1 | 1 | PUA014202 | PUMP ASSY | JPR-YM04JHB |



| | | | | | |
|------------------------|-------------------------|--------------------|-----------------------------|--------------------|-----------------|
| Drawing by M.J.KANG | Checked by C.I. JEON | Approved by - date | Model Name JPR-YM04JHB | Date 2016-11-10 | Scale 0.53:1 |
| | | | PUMP PART'S VIEW | | |
| | | | PART NUMBER PUA014202(0) | Edition 0 | Sheet A2 |