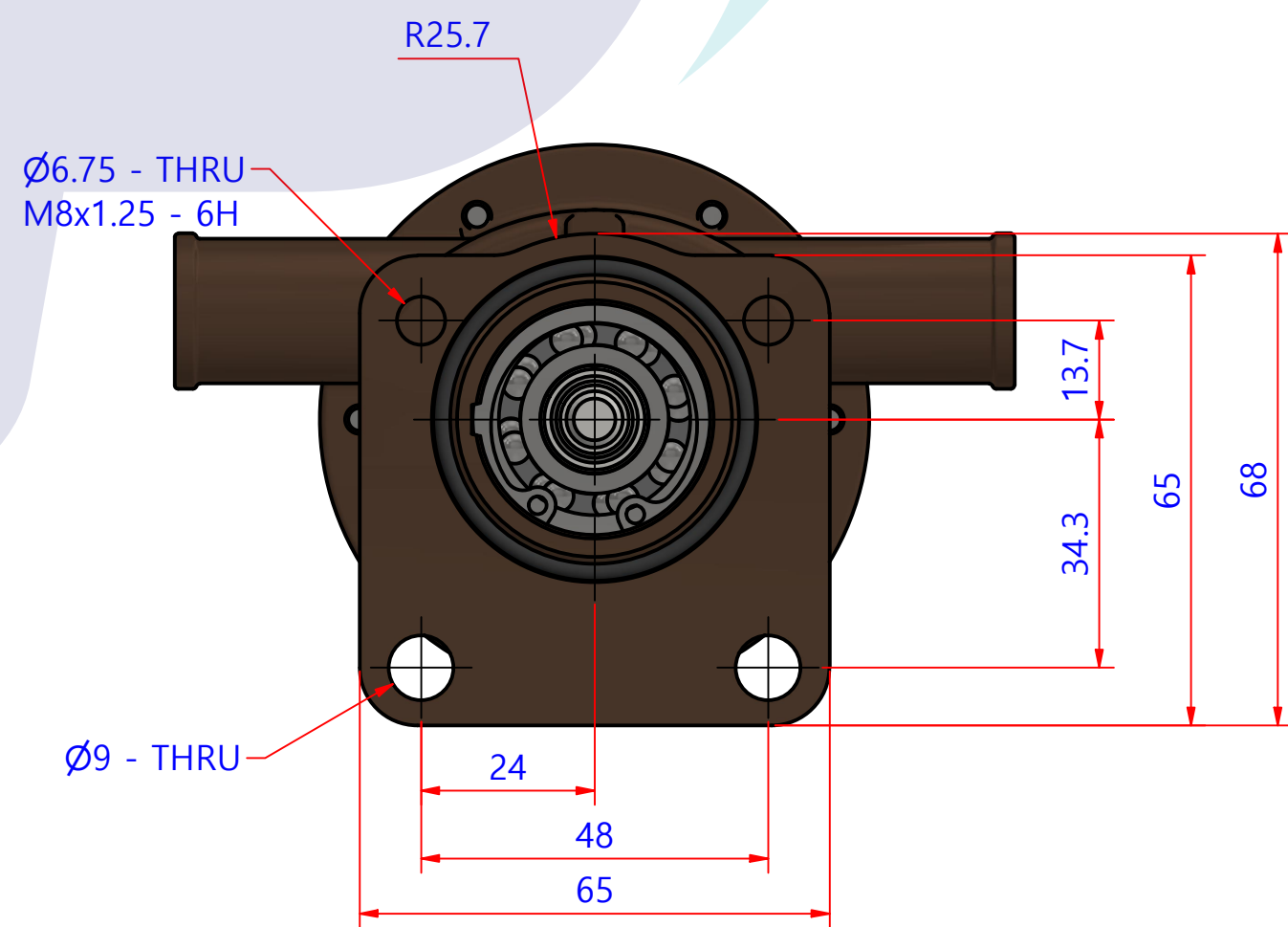
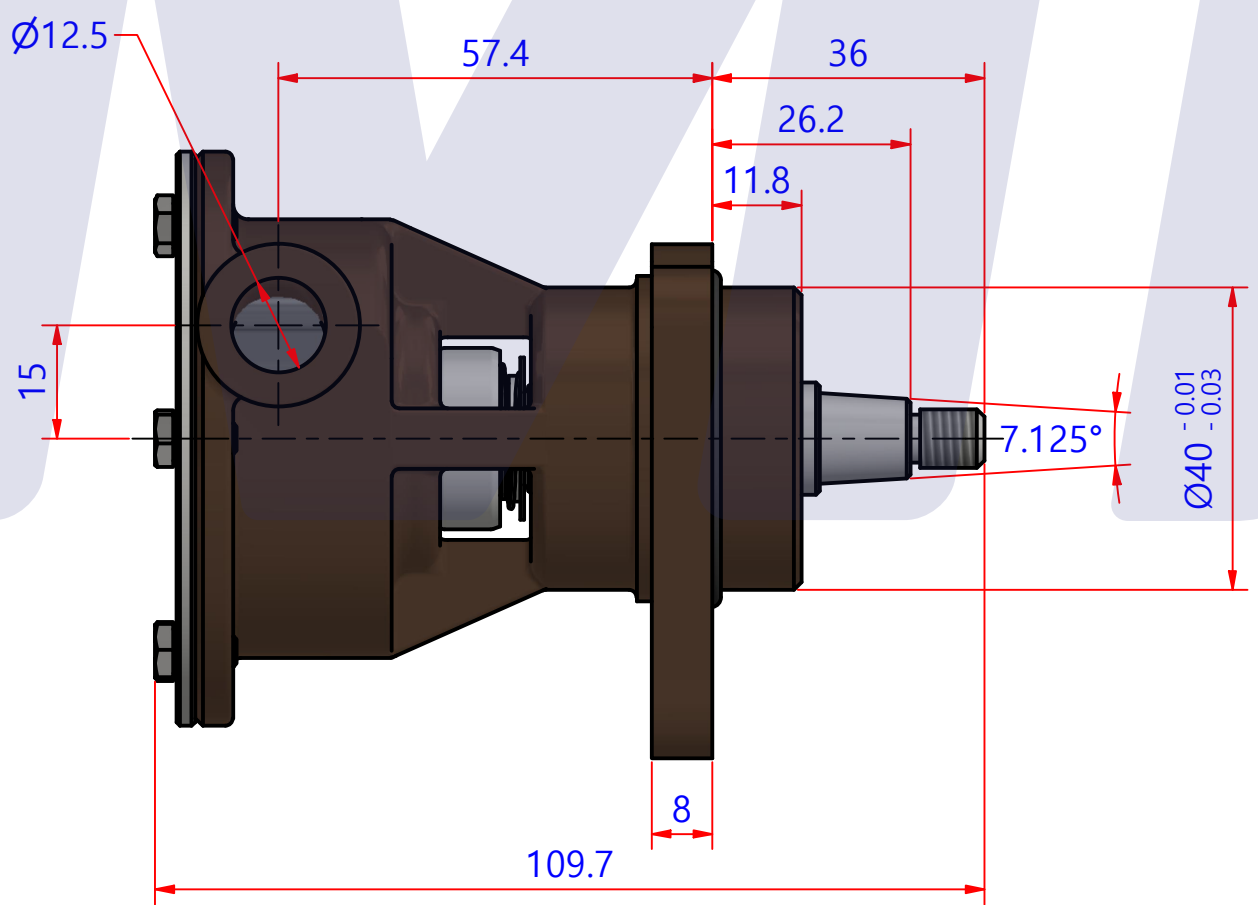
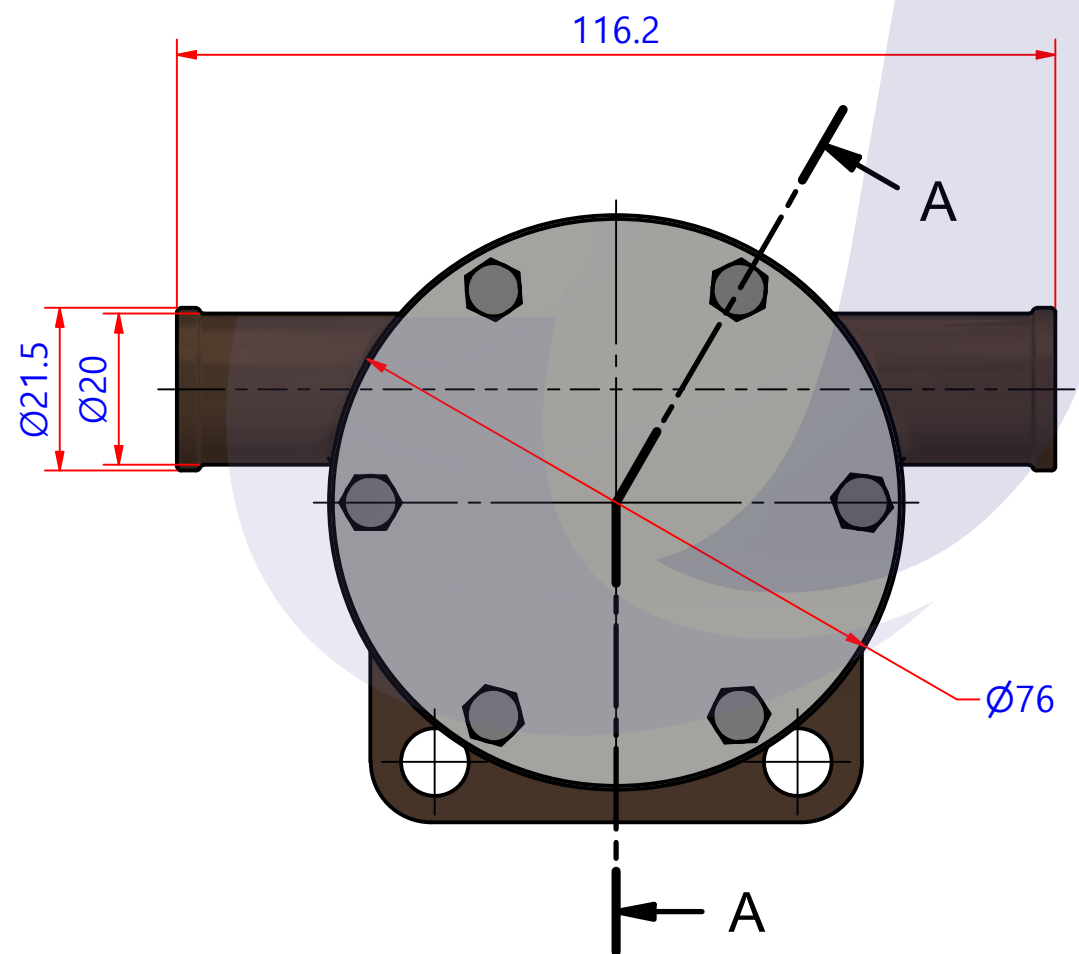
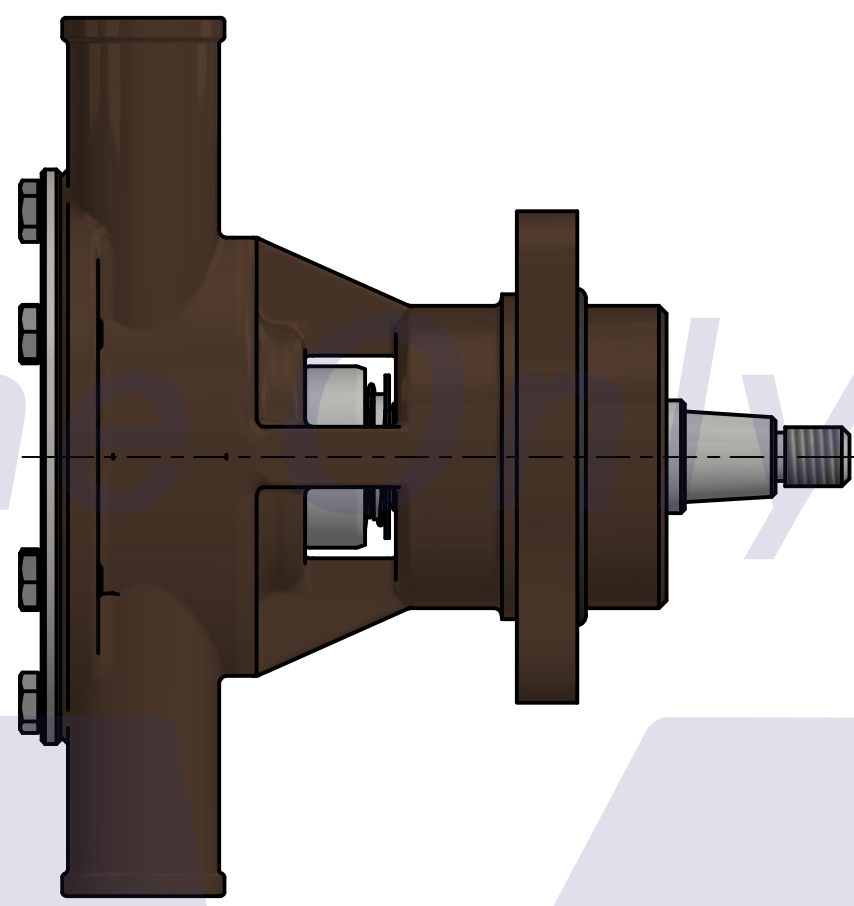
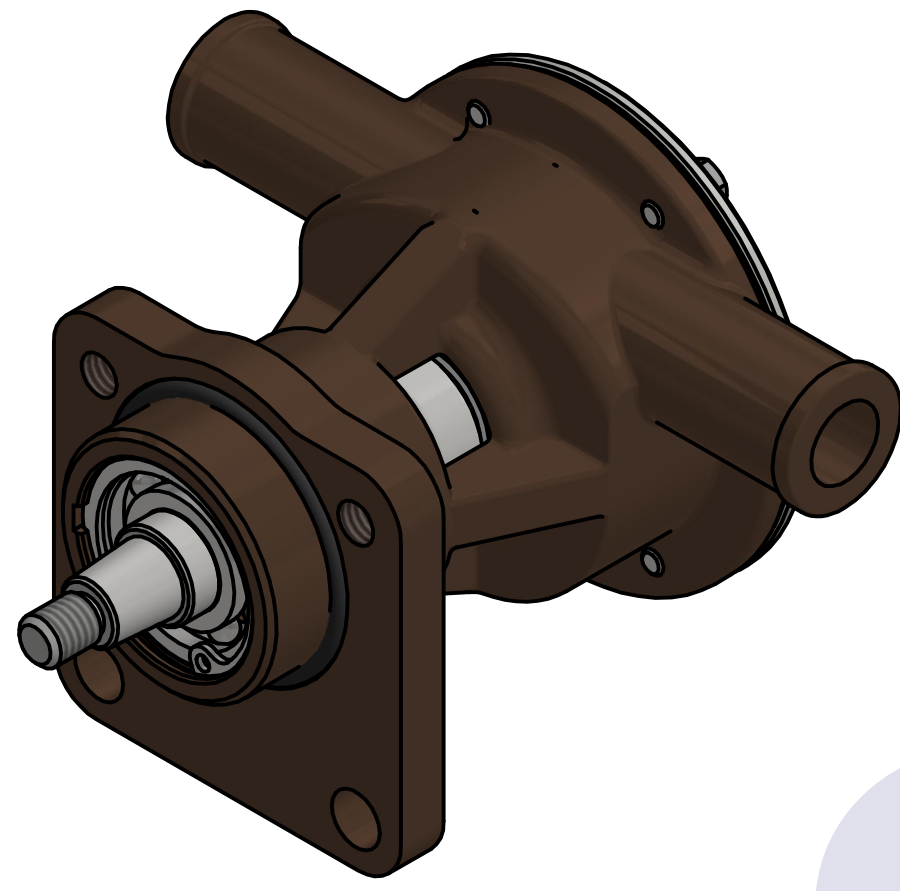


PART LIST					
No.	QTY	PART NUMBER	PART NAME	MAT	DESCRIPTION
1	1	PUA0096	PUMP ASSY		JPR-NL08IH

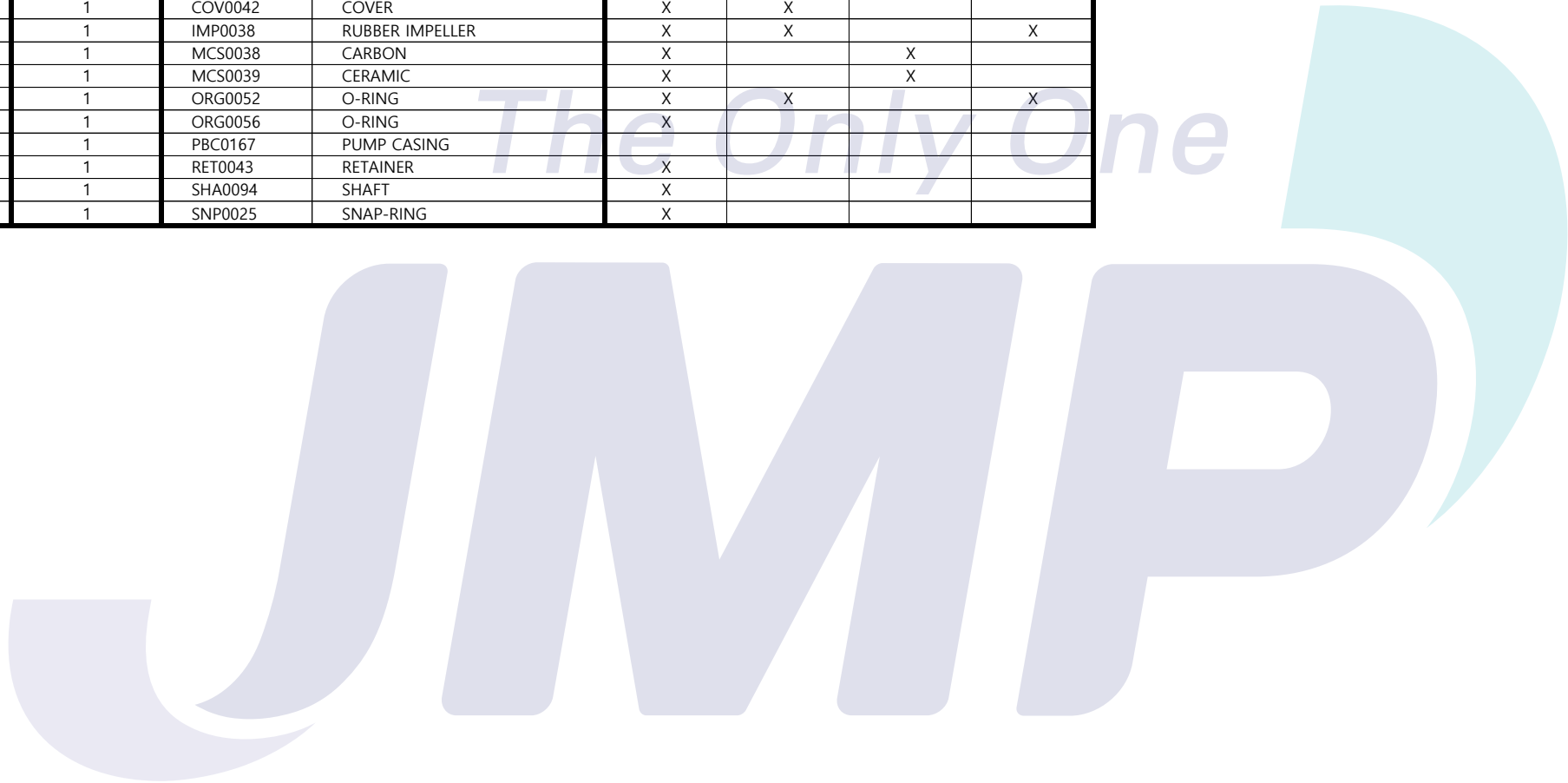


Drawing by 강 명진	Checked by Y.D. JEON	Approved by - date	Model Name JPR-NL08IH	Date 2013-09-10	Scale 1 : 1
			PUMP ASSY"		
			PART NUMBER PUA0096(0)	Edition 0	Sheet A2

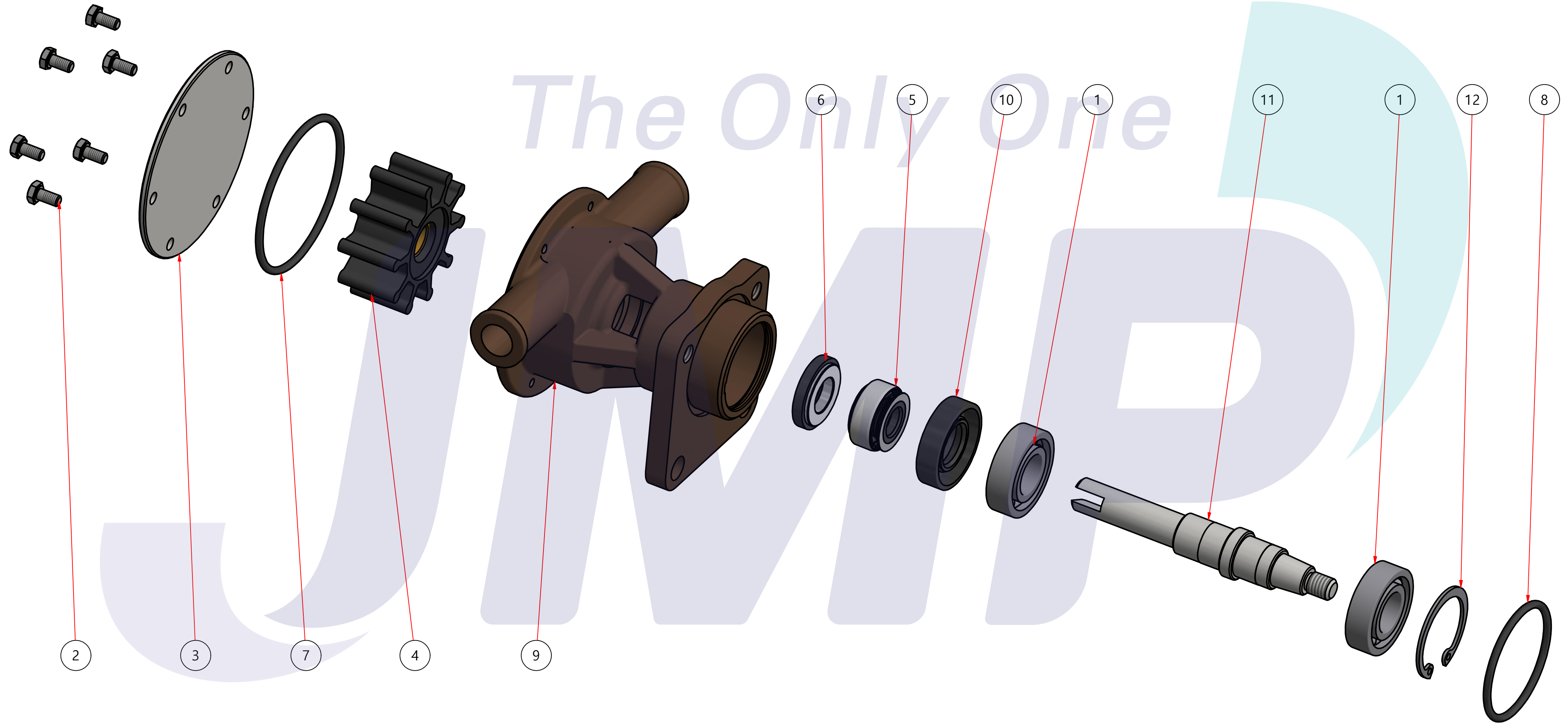
품 번	PUA0096
품 명	JPR-NL08IH

A: MAJOR KIT B: MINOR KIT C: M-SEAL SET D: IMPELLER KIT

No.	QTY	PART NUMBER	PART NAME	A (JSK0081)	B (JSM0088)	C (MCSSET0018)	C (JIKJMP010)
1	2	BER0053	BEARING	X			
2	6	BOL0144	HEX BOLT	X	X		
3	1	COV0042	COVER	X	X		
4	1	IMP0038	RUBBER IMPELLER	X	X		X
5	1	MCS0038	CARBON	X		X	
6	1	MCS0039	CERAMIC	X		X	
7	1	ORG0052	O-RING	X	X		X
8	1	ORG0056	O-RING	X			
9	1	PBC0167	PUMP CASING				
10	1	RET0043	RETAINER	X			
11	1	SHA0094	SHAFT	X			
12	1	SNP0025	SNAP-RING	X			



PART LIST					
No.	QTY	PART NUMBER	PART NAME	MAT	DESCRIPTION
1	1	PUA0096	PUMP ASSY		JPR-NL08IH



The Only One

Drawing by	Checked by	Approved by - date	Model Name	Date	Scale
강 명진	Y.D. JEON		JPR-NL08IH	2013-11-25	1 : 1
			PUMP PART'S VIEW		
			PART NUMBER	Edition	Sheet
			PUA0096(0)	0	A2