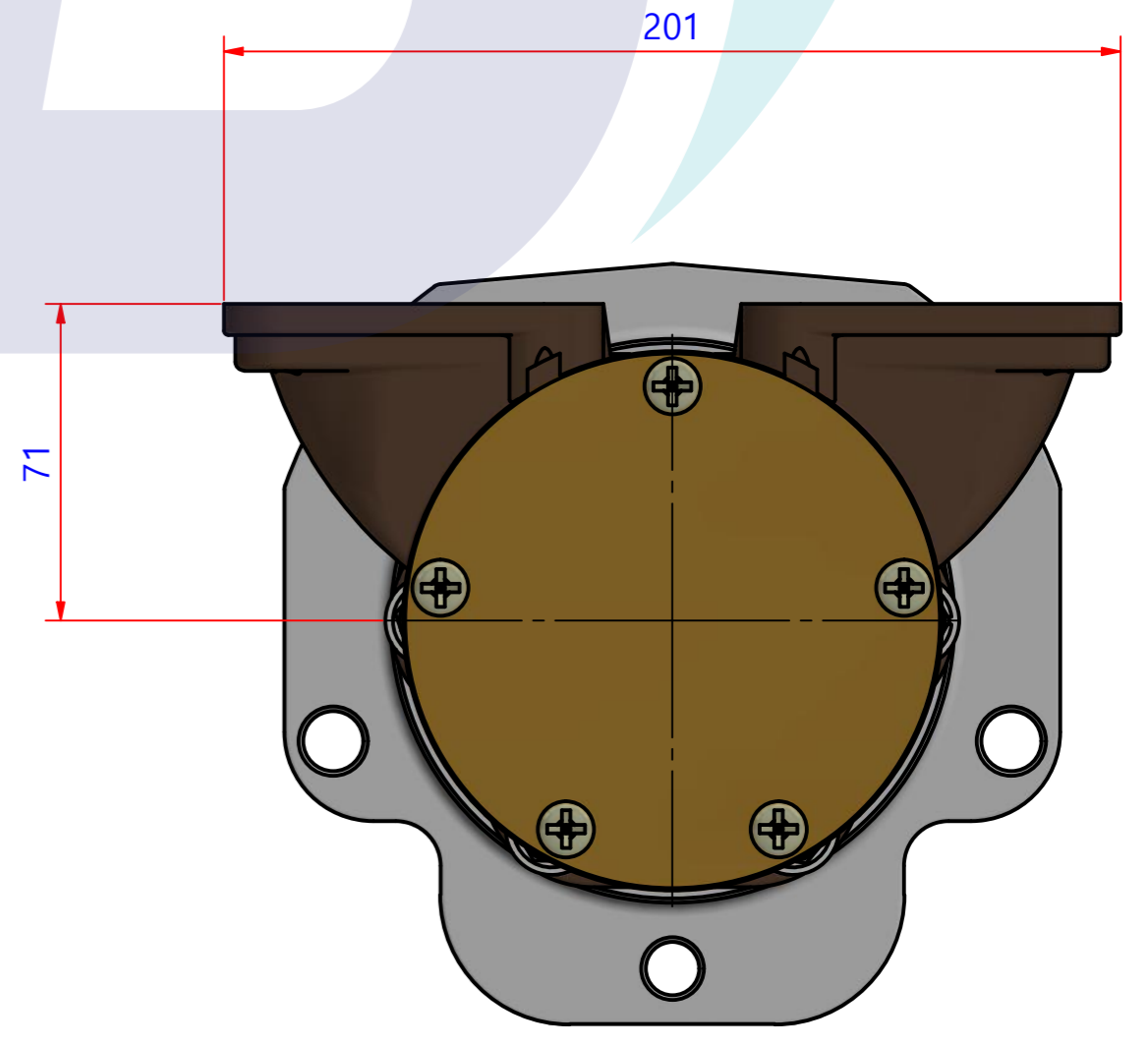
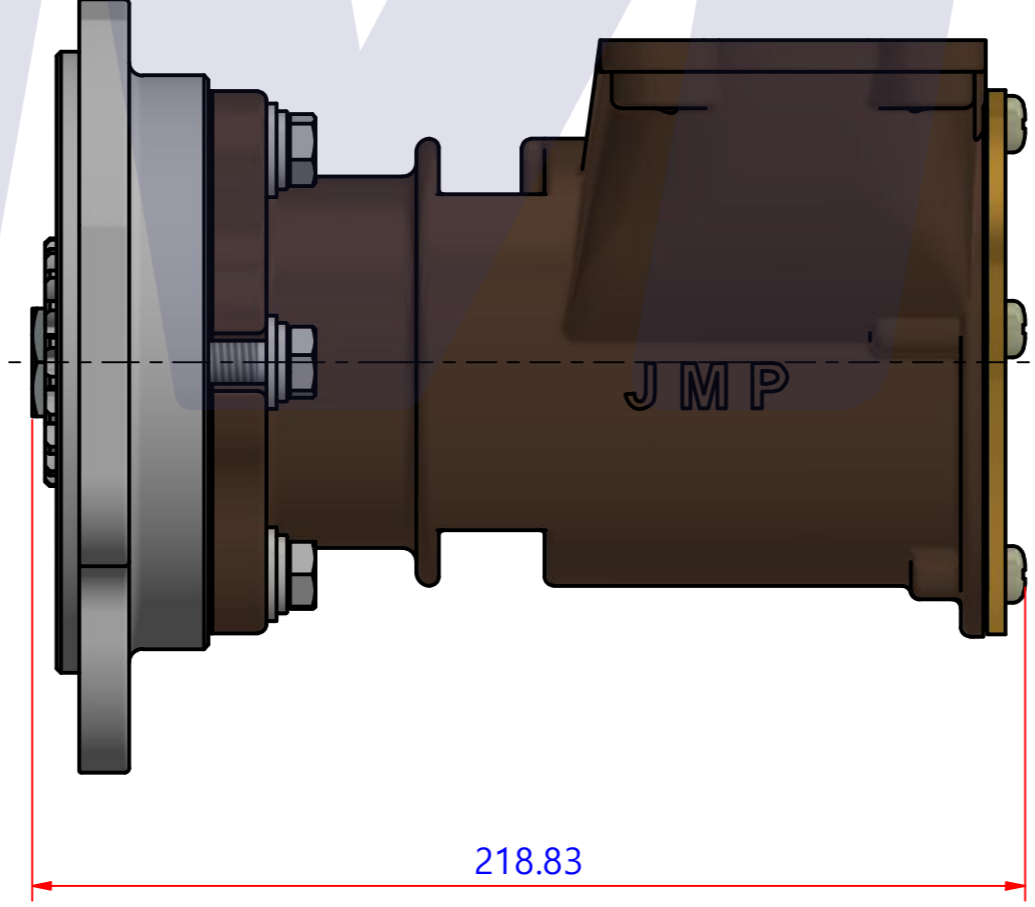
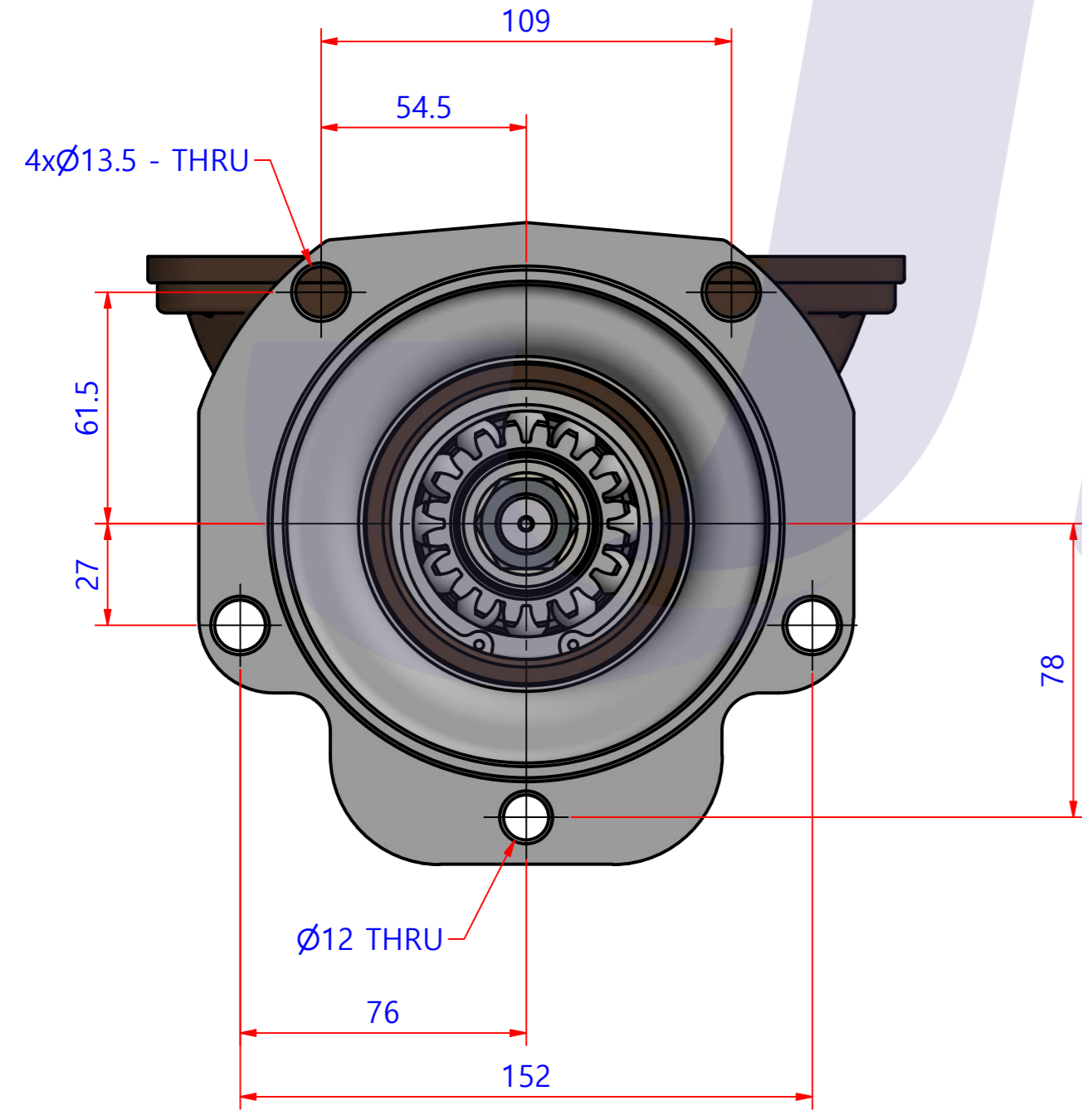
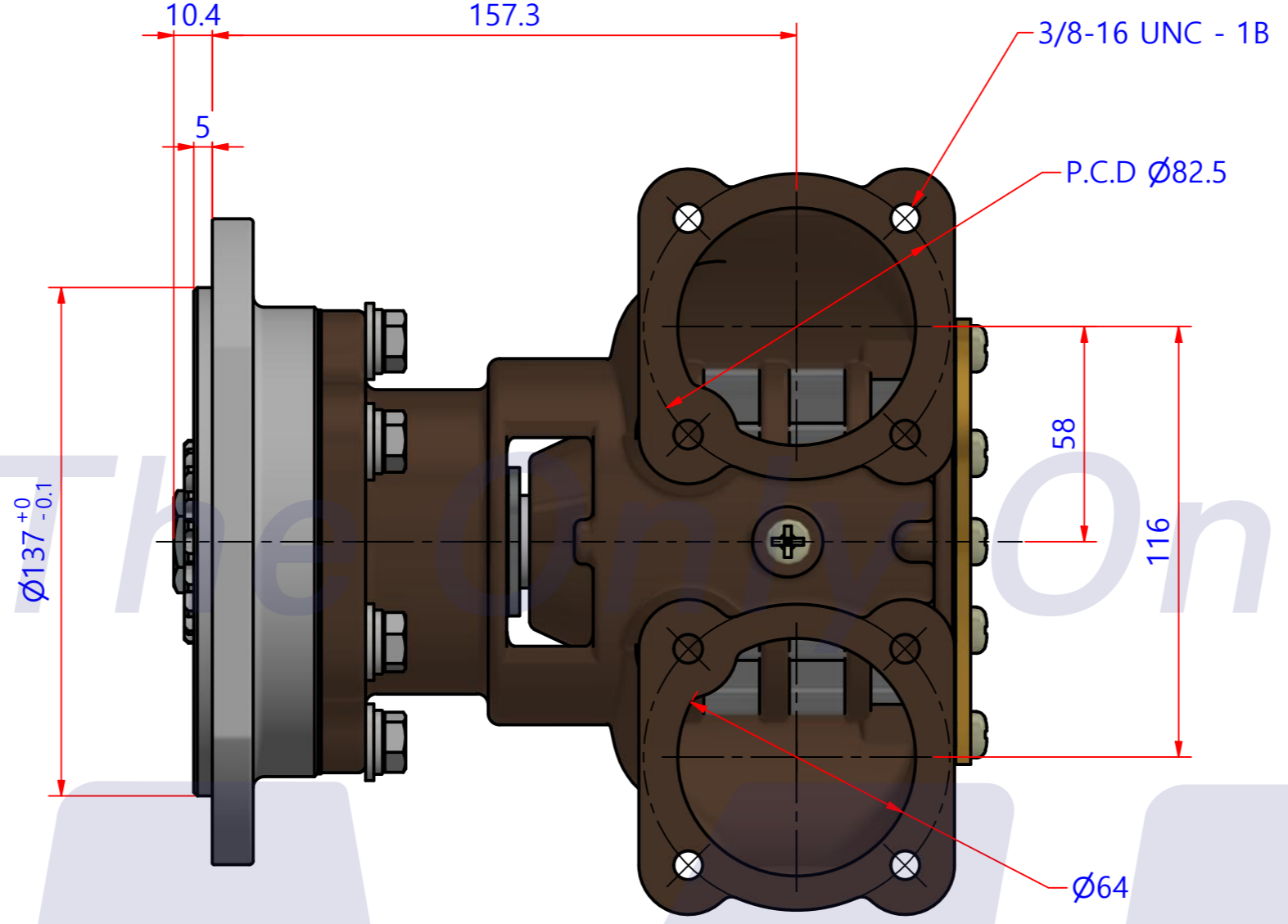
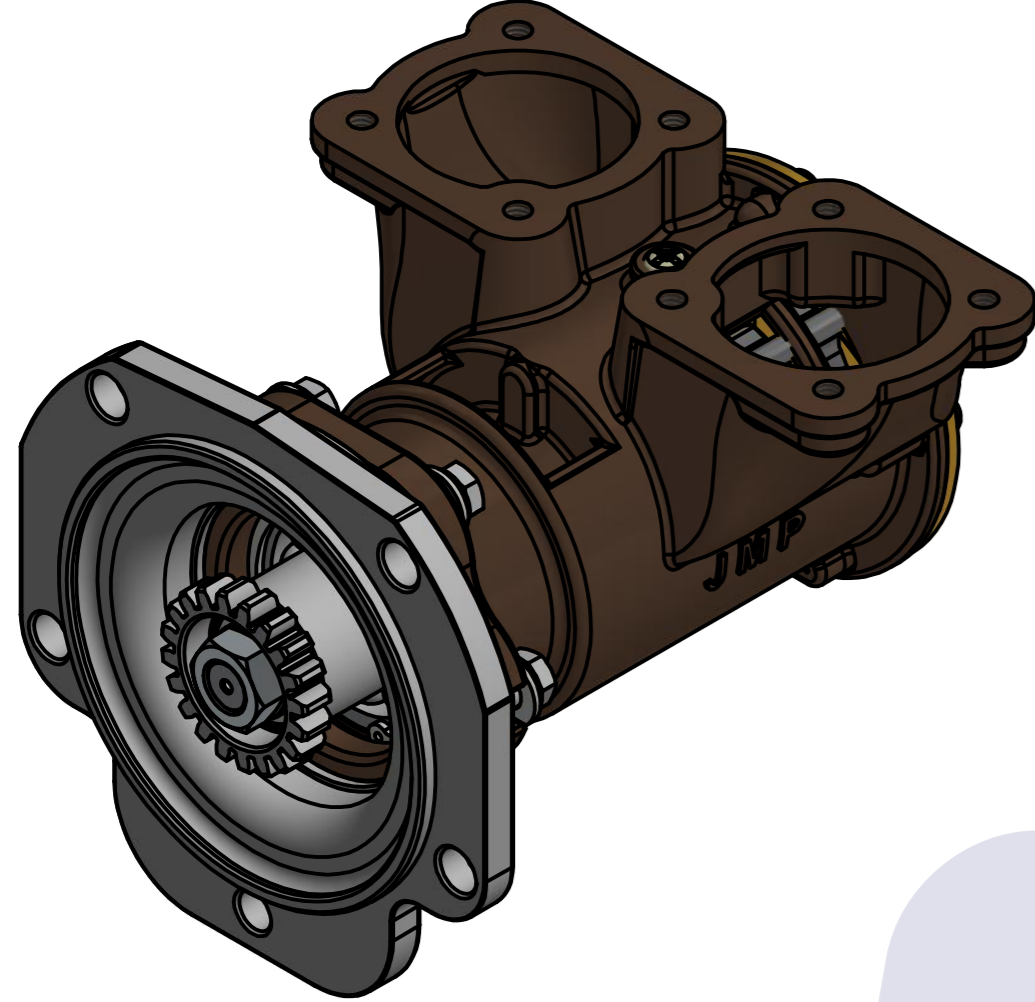


| 부품 리스트 | | | | | |
|--------|----|---------|-----------|----|-----------|
| 항목 | 수량 | 부품번호 | 주제 | 재질 | 설명 |
| 1 | 1 | PUA0034 | PUMP ASSY | | JPR-G6200 |



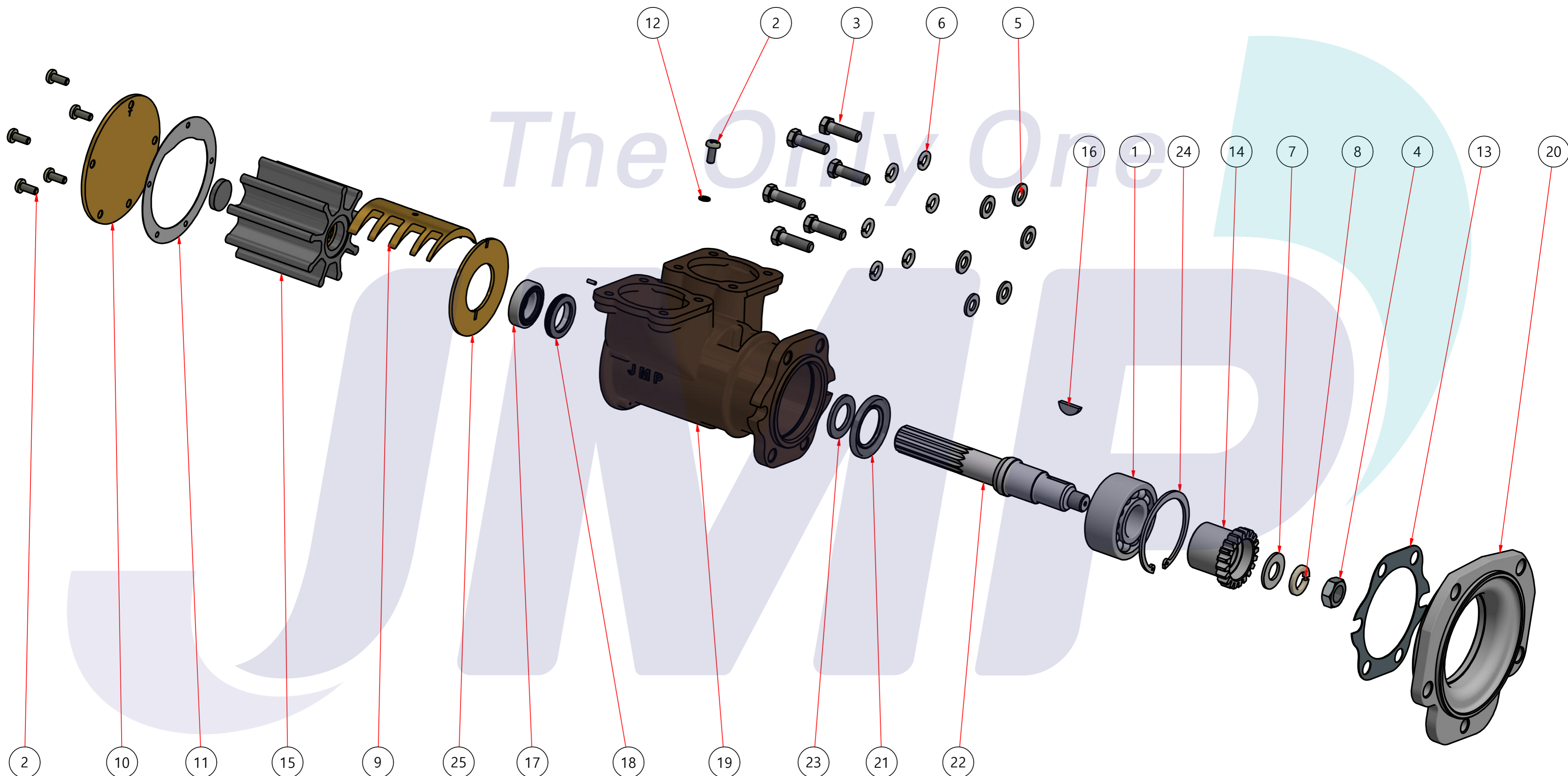
| | | | | | |
|------------|------------|--------------------|-------------|------------|-------|
| Drawing by | Checked by | Approved by - date | Model Name | Date | Scale |
| M.J.KANG | C.I. JEON | | JPR-G6200 | 2020-03-13 | 1:1 |
| | | | PUMP ASSY | | |
| | | | PART NUMBER | Edition | Sheet |
| | | | PUA0034(0) | 0 | A2 |

| | |
|-----|-----------|
| 품 번 | PUA0034 |
| 품 명 | JPR-G6200 |

A: MAJOR KIT B: MINOR KIT C: CAM SET D: M-SEAL SET E: IMPELLER KIT

| No. | QTY | PART NUMBER | PART NAME | A (JSK0025) | B (JSM0029) | C (CAMSET0017) | D (MCSSET0003) | E (JIKJMP046) |
|-----|-----|-------------|-----------------|----------------|----------------|-------------------|-------------------|------------------|
| 1 | 1 | BER0011 | BEARING | X | | | | |
| 2 | 6 | BOL0005 | SCREW | X | X | X (1) | | |
| 3 | 6 | BOL0017 | HEX BOLT | | | | | |
| 4 | 1 | BOL0022 | NUT | | | | | |
| 5 | 6 | BOL0044 | FLAT WASHER | | | | | |
| 6 | 6 | BOL0045 | SPRING WASHER | | | | | |
| 7 | 1 | BOL0102 | FLAT WASHER | | | | | |
| 8 | 1 | BOL0103 | SPRING WASHER | | | | | |
| 9 | 1 | CAM0017 | CAM | X | X | X | | |
| 10 | 1 | COV0006 | COVER | X | X | | | |
| 11 | 1 | GAK0007 | GASKET | X | X | | | X |
| 12 | 1 | GAK0009 | FIBER GASKET | X | X | X | | |
| 13 | 1 | GAK0022 | GASKET | X | | | | |
| 14 | 1 | GEA0005 | GEAR | | | | | |
| 15 | 1 | 8301-01 | RUBBER IMPELLER | X | X | | | X |
| 16 | 1 | KEY0014 | KEY | X | | | | |
| 17 | 1 | MCS0004 | CARBON | X | X | | X | |
| 18 | 1 | MCS0009 | CERAMIC | X | X | | X | |
| 19 | 1 | PBC0040 | PUMP CASING | | | | | |
| 20 | 1 | PBC0075 | PUMP ADAPTER | | | | | |
| 21 | 1 | RET0051 | RETAINER | X | | | | |
| 22 | 1 | SHA0024 | SHAFT | X | | | | |
| 23 | 1 | SLI0003 | SLINGER | X | | | | |
| 24 | 1 | SNP0014 | SNAP-RING | X | | | | |
| 25 | 1 | WER0009 | WEAR PLATE | X | X | | | |

| PART LIST | | | | | |
|-----------|-----|-------------|-----------|-----|-------------|
| No. | QTY | PART NUMBER | PART NAME | MAT | DESCRIPTION |
| 1 | 1 | PUA0034 | PUMP ASSY | | JPR-G6200 |



| | | | | | |
|------------|------------|--------------------|------------------|------------|-------|
| Drawing by | Checked by | Approved by - date | Model Name | Date | Scale |
| 강 명진 | Y.D. JEON | | JPR-G6200 | 2013-08-06 | 1 : 1 |
| | | | PUMP PART'S VIEW | | |
| | | | PART NUMBER | Edition | Sheet |
| | | | PUA0034(0) | 0 | A2 |