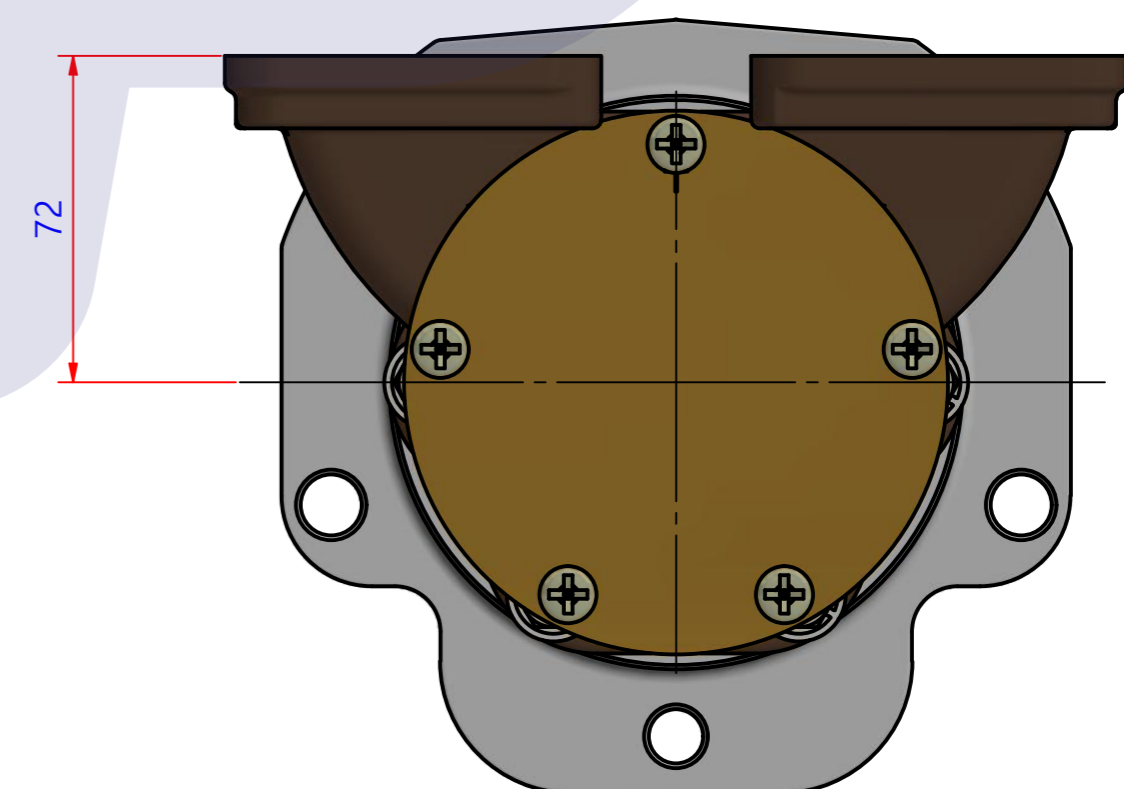
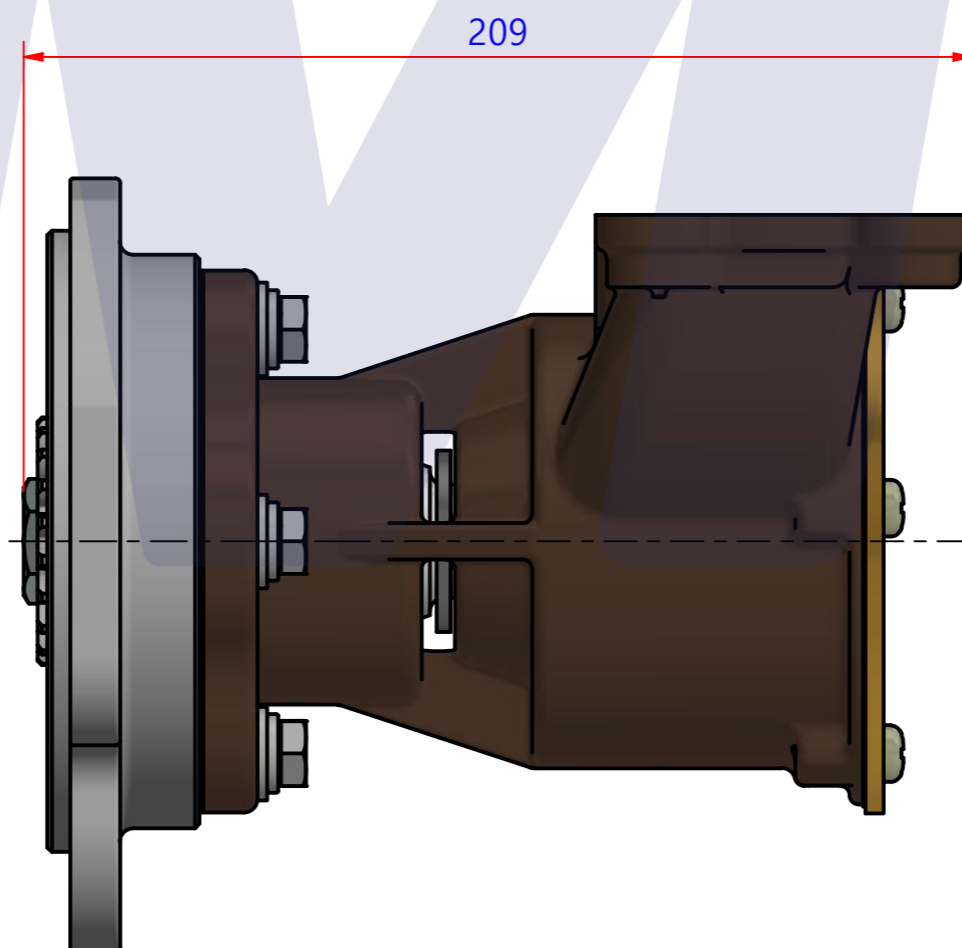
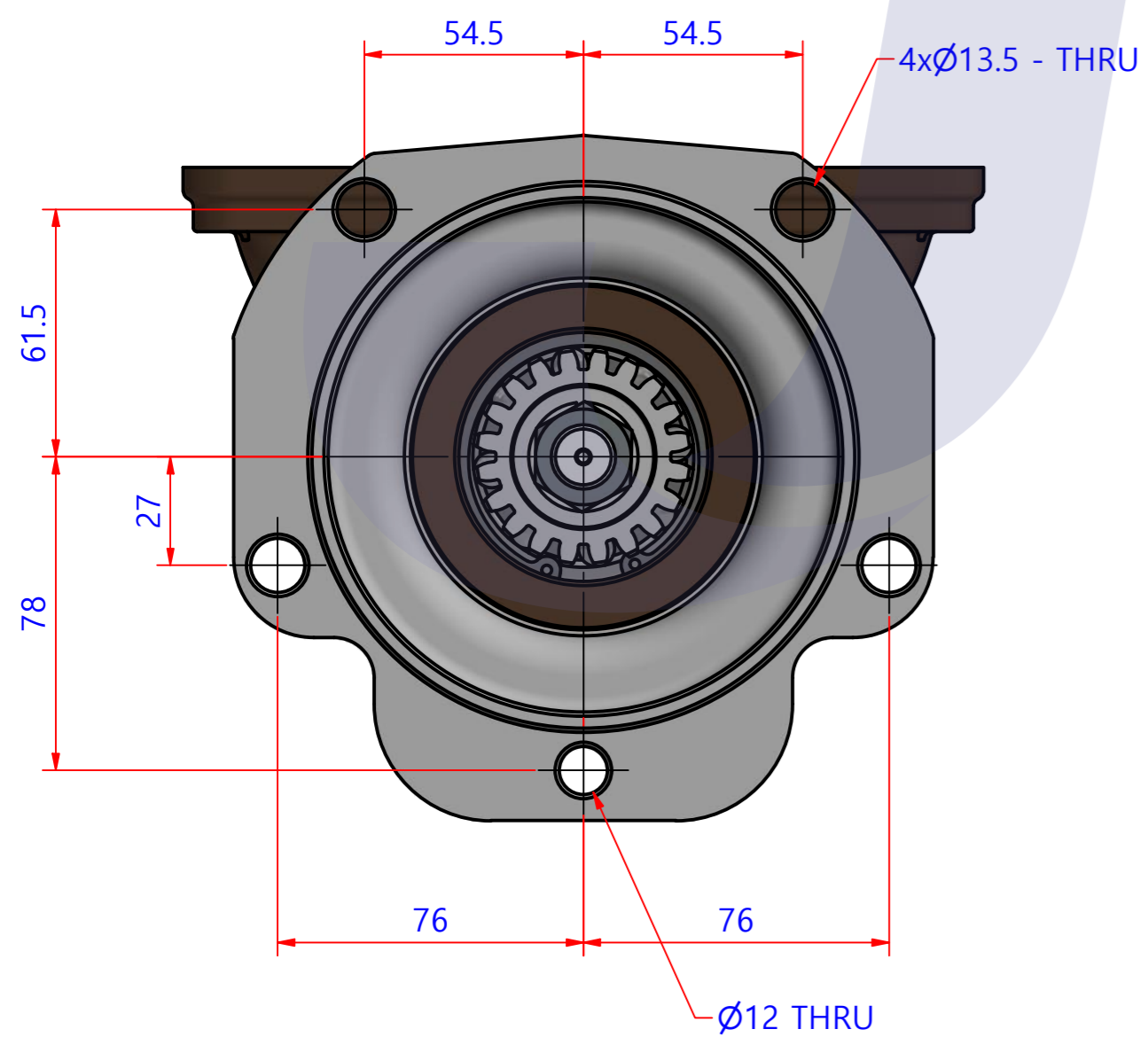
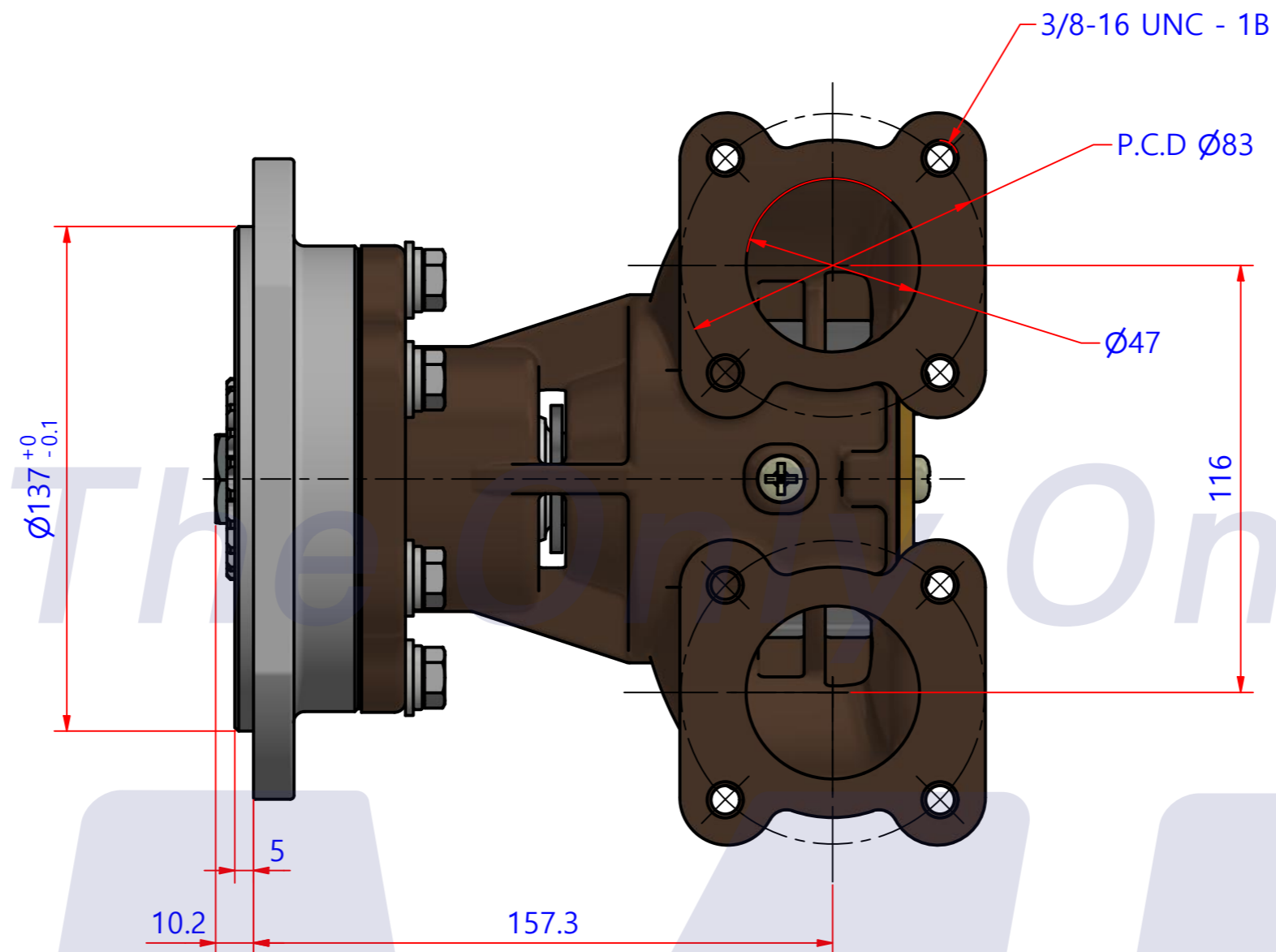
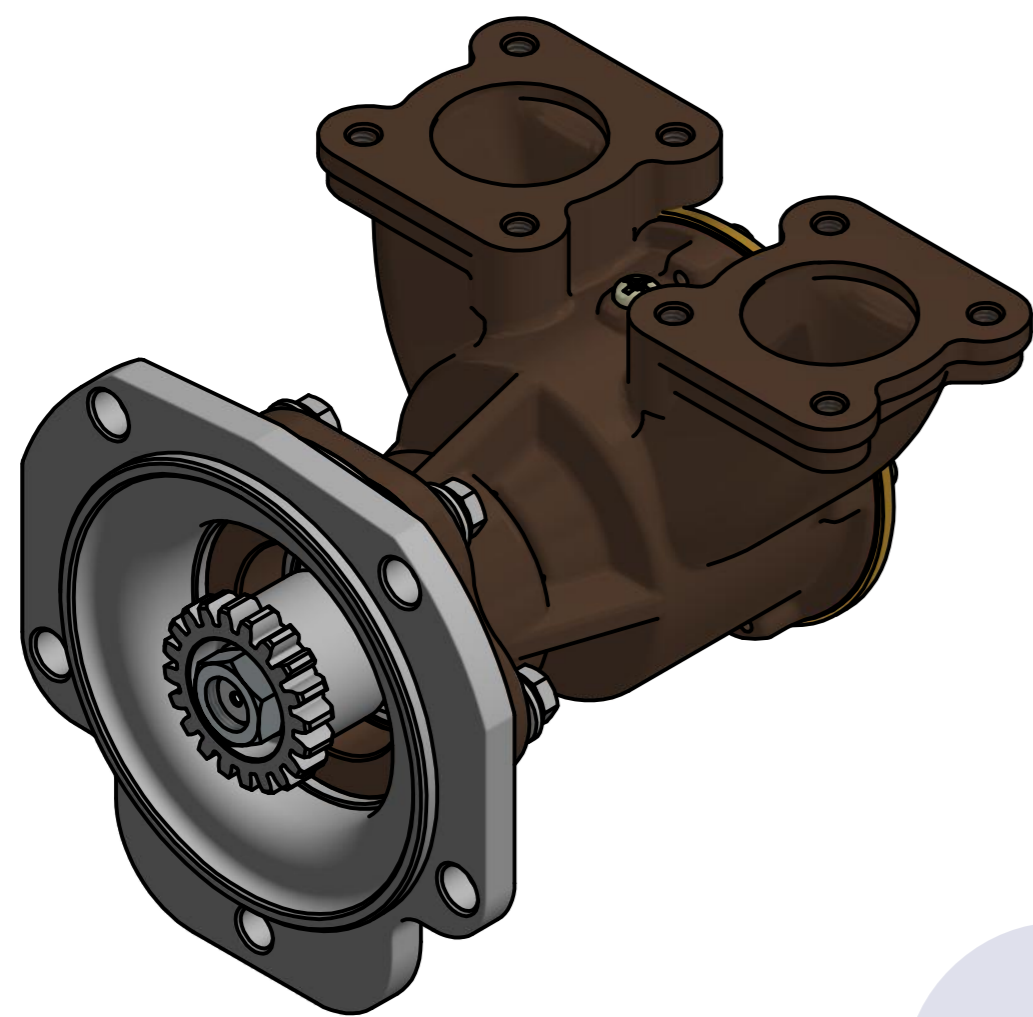


PART LIST					
No.	QTY	PART NUMBER	PART NAME	MAT	DESCRIPTION
1	1	PUA0033	PUMP ASSY		JPR-G6100



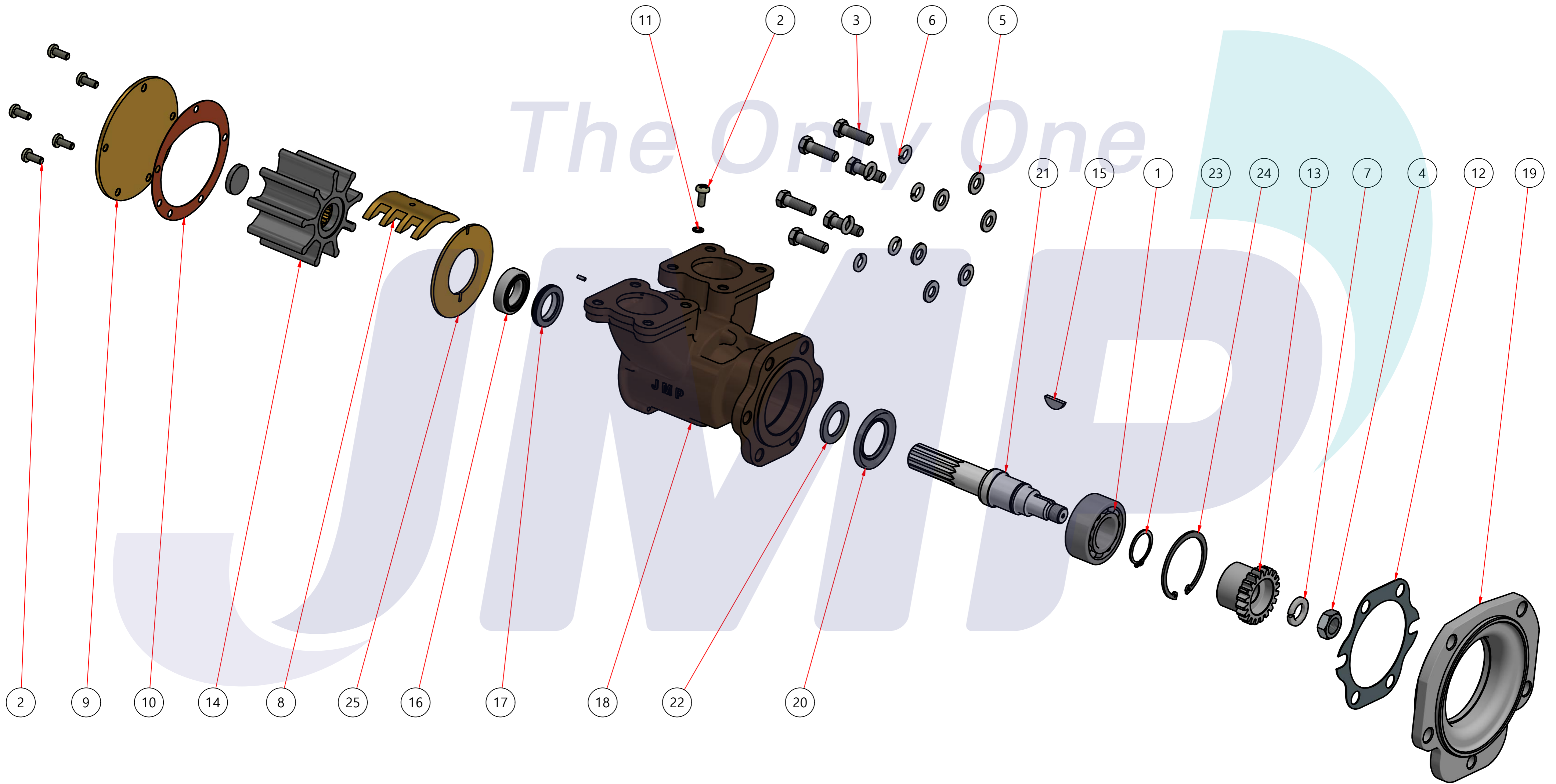
Drawing by	Checked by	Approved by - date	Model Name	Date	Scale
M.J.KANG	C.I. JEON		JPR-G6100	2019-05-17	1:1
			PUMP ASSY		
			PART NUMBER	Edition	Sheet
			PUA0033(0)	0	A2

품 번	PUA0033
품 명	JPR-G6100

A: MAJOR KIT B: MINOR KIT C: CAM SET D: M-SEAL SET E: IMPELLER KIT

No.	QTY	PART NUMBER	PART NAME	A (JSK0024)	B (JSM0006)	C (CAMSET000501)	D (MCSSET0003)	E (JIKJMP040)
1	1	BER0012	BEARING	X				
2	6	BOL0005	SCREW	X	X	X (1)		
3	6	BOL0017	HEX BOLT					
4	1	BOL0022	NUT					
5	6	BOL0044	FLAT WASHER					
6	6	BOL0045	SPRING WASHER					
7	1	BOL0103	SPRING WASHER					
8	1	CAM000501	CAM	X	X	X		
9	1	COV0006	COVER	X	X			
10	1	GAK0007	GASKET	X	X			X
11	1	GAK0009	FIBER GASKET	X	X	X		
12	1	GAK0022	GASKET	X				
13	1	GEA0004	GEAR					
14	1	8100-01	RUBBER IMPELLER	X	X			X
15	1	KEY0011	KEY	X				
16	1	MCS0004	CARBON	X	X		X	
17	1	MCS0009	CERAMIC	X	X		X	
18	1	PBC0039	PUMP CASING					
19	1	PBC0075	PUMP ADAPTER					
20	1	RET0051	RETAINER	X				
21	1	SHA0023	SHAFT	X				
22	1	SLI0003	SLINGER	X				
23	1	SNP0005	SNAP-RING	X				
24	1	SNP0013	SNAP-RING	X				
25	1	WER0009	WEAR PLATE	X	X			

PART LIST					
No.	QTY	PART NUMBER	PART NAME	MAT	DESCRIPTION
1	1	PUA0033	PUMP ASSY		JPR-G6100



Drawing by 강 명진	Checked by Y.D. JEON	Approved by - date	Model Name JPR-G6100	Date 2013-08-06	Scale 1:1
			PUMP PART'S VIEW		
			PART NUMBER PUA0033(0)	Edition 0	Sheet A2